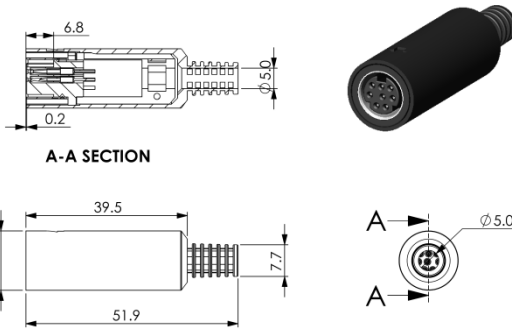


YE-133XMP MINI DIN CABLE JACK ASS'Y TYPE



YE-1333MP	YE-1334MP	YE-1335MP	YE-1336MP	YE-1337MP	YE-1338MP

MATERIAL :

1. SHELL COVER : EVA+LLDPE
2. HOLDER A : ABS
3. HOLDER B : ABS
4. SHIELD COVER : BRASS NICKEL PTD.
5. HOUSING : PBT
6. TERMINALS : COPPER SILVER PTD.

SPECIFICATION :

Rating :

100V AC 1A /12V DC 2A max.

Contact Resistance :

30mΩ max.

Insulation Resistance :

50MΩ at 250V DC min.

Voltage Withstand :

250V AC for 1 minute



YE-1333MP



YE-1334MP



YE-1335MP



YE-1336MP



YE-1337MP



YE-1338MP